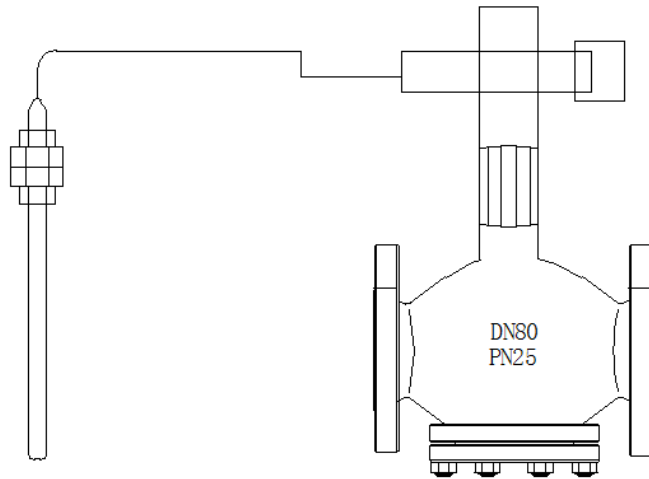


STANDARD SPECIFICATION

CHUANHU

## 自力式温度调节阀

**Self-temperature control valve**



上海川沪阀门有限公司

ShangHai Chuanhu Valve CO.,LTD

## 概要

自力式温度调节阀利用液体受热膨胀及液体不可压缩的原理实现自动调节。温度传感器内的液体膨胀是均匀的。自力式温度调节阀其控制作用为比例调节被控介质温度变化时，传感器内的感温液体体积随着膨胀或收缩。被控介质温度高于设定值时，感温液体膨胀。推动阀芯向下关闭自力式温度调节阀，减少热媒的流量；被控介质的温度低于设定值时，感温液体收缩。复位弹簧推动阀芯开启，增加热媒的流量。自力式温度调节阀主要适用于采暖空调生活热水、石油化工、电力、机电纺织、橡胶、食品等行业。

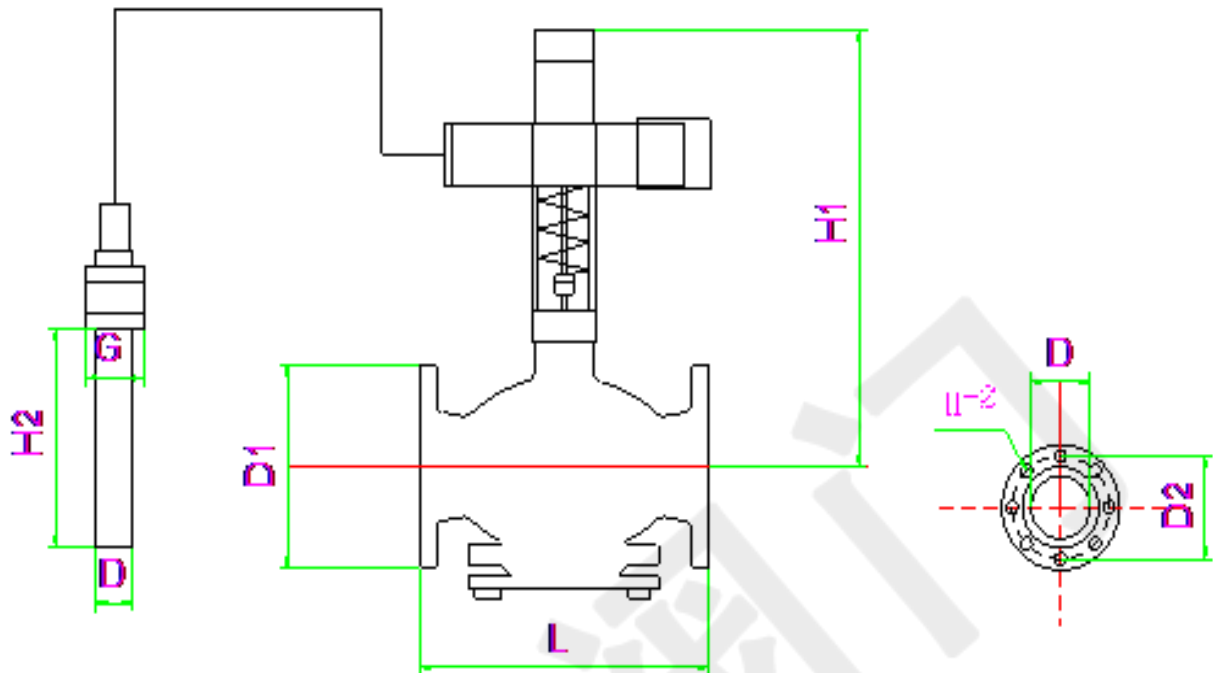
## GENERAL

Self-temperature control valve using liquid thermal expansion and the principle of incompressible liquid automatic adjustment. A temperature sensor inside the expansion of the liquid is uniform. Self-regulating valve that controls the temperature effect is proportional regulator accused the media when the temperature changes, temperature sensors inside the liquid volume with the expansion or contraction. When accused of medium temperature is higher than the set value, thermal expansion of the liquid. Self-promotion spool down off the temperature control valve, reducing the flow of heat medium; temperature controlled media is below the set value, the temperature of liquid contraction. Spring open the valve, increasing the heat medium flow. Self-temperature control valve is mainly used in domestic hot water heating and air conditioning, petrochemical, power, electrical and mechanical textile, rubber, food and other industries.

## ● 标准规格 STANDARD SPECIFICATIONS

公称通径 Body size	15	20	25	32	40	50	65	80	100	125	150	200	250
流通能力 CV Flow capacity CV	3.2	5	8	12.5	20	32	50	80	120	180	260	350	450
公称压力(Mpa) Body ratings	PN16 PN25												
温度设定范围 °C Temperature range	40°C~~100°C												
导管长度 m Pipe length	导管标准长度 3.5m; 可特殊定做 5m 10m 15m Pipe standard length 3.5m; can be customized special 5m 10m 15m												
最大工作温度 Maximum operating temperature	球墨铸铁 Nodular cast iron			280°C									

## 外形尺寸表 Dimension



型号 Type	H1 (mm)	D1 (mm)	D (mm)	D2 (mm)	L (mm)	d (mm)	G (mm)	H2 (mm)	n-Φ (mm)	重量 Weight (kg)	
DN32	419	135	32	100	180	25	M32*1.5	180	4-Φ18	18.5	
DN40	440	145	40	110	200	25	M32*1.5	180	4-Φ18	21	
DN50	450	160	50	125	230	25	M32*1.5	180	4-Φ18	26	
DN65	465	180	65	145	290	25	M32*1.5	280	4-Φ18	33	
DN80	476	195	80	160	310	25	M32*1.5	280	8-Φ18	40	
DN100	16KG	500	215	100	180	350	25	M32*1.5	280	8-Φ18	50
	25KG	500	235	100	190	350	25	M32*1.5	280	8-Φ23	53
DN125	16KG	515	245	125	210	395	25	M32*1.5	280	8-Φ18	70
	25KG	515	270	125	220	400	25	M32*1.5	280	8-Φ26	73
DN150	16KG	537	280	150	240	470	25	M32*1.5	280	8-Φ23	98.5
	25KG	537	300	150	250	485	25	M32*1.5	280	12-Φ26	101.5
DN200	16KG	556	335	200	300	495	25	M32*1.5	380	12-Φ22	136
	25KG	556	360	200	310	495	25	M32*1.5	380	12-Φ26	140
DN250	16KG	591	405	250	355	640	25	M32*1.5	380	12-Φ22	206
	25KG	591	425	250	370	622	25	M32*1.5	380	12-Φ30	210

注：以上为 1.6MPa 法兰接口尺寸 Note: 1.6MPa flange interface dimensions

## 安装使用

为方便运输，本温度调节阀的控制部分与阀体部分分别包装，安装时二者出厂编号必须一致。

阀体安装前应清洗管道，不得有杂物。阀体安装时必须垂直于地面，阀体进口方向与热媒介质流动方向一致。本温度调节阀前后应安装截止阀且调节阀前应安装过滤器，以免杂质损伤密封表面。为方便用户的使用及调节阀的检修，应设置旁通管路并安装截止阀，请参看示意图。

安装时控制器垂直于地面。

把控制器安到阀体上，用（4mm）的六角形扳手紧固固定螺钉。

5.联接件必须拧紧。

6.温度传感器安装前，先将导管沿螺旋方向展开，严禁硬性拉伸，以免折断导管。导管需折弯的时候，最小弯曲半径为 60mm

安装时，先在换热器或出水管道上，安好丝座再连接传感器。温度传感器应全部直接浸没在被加热的介质中，请勿将传感器安装在套管中。传感器附近应安装温度计或其他温度显示装置，以便观察。

7.调节阀出厂前，一般已按用户要求设定好温度，用户使用时只需微调即可。微调或改变设定温度方法如下，由低温向高温调节时逆时针转动头体；由高温向低温调节时，须等到传感器温度冷却至被调节温度时，顺时针转动头体即可。

8.注意：

本温度调节阀不能用作截止阀，当系统停止供热时，应关闭热媒截止阀

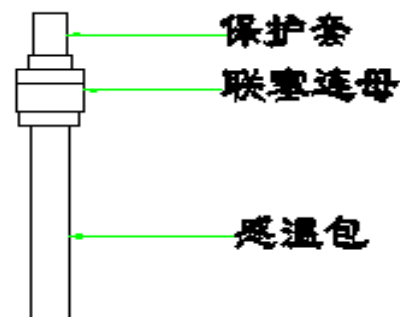
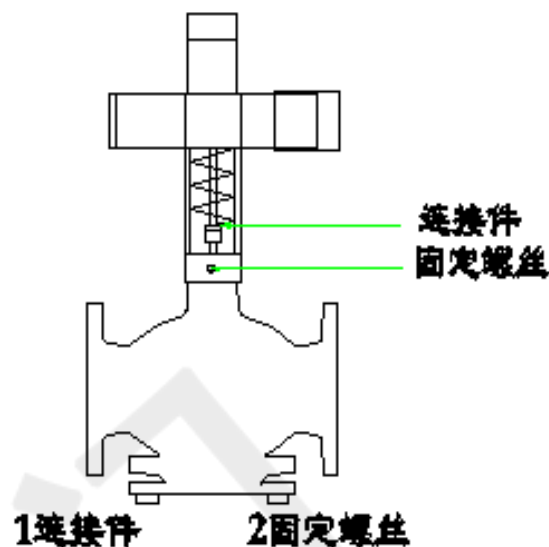
使用时，应仔细检查导管，如果导管折裂液体泄漏或有异味溢出，应停止使用。

被加热介质温度偏低时，参照第 7 条，向高温调节，如果无效，打开旁通，若温度仍偏低，则属热源或系统问题

被加热介质温度偏高时参照第 7 条，向低温调节，如无效，则应检查旁通是否漏气。

本调节阀属精密仪器，严禁私自拆卸，如有问题请与代理商或我公司联系。

温度传感器不允许安装在旁通管路上。



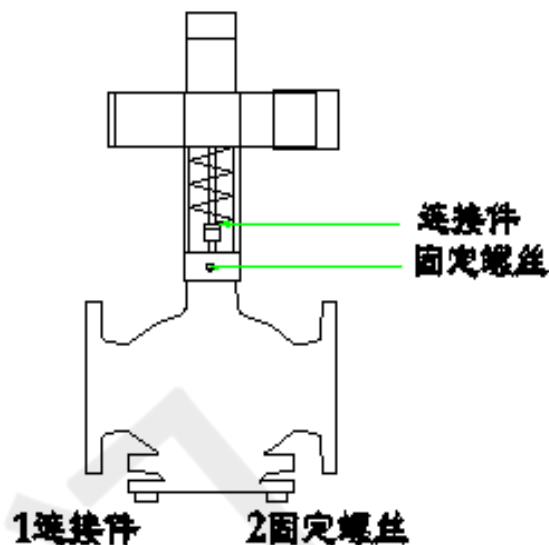
### 特别注意：

1. 阀前必须安装过滤器。
2. 严禁超温超压。
3. 严禁当作截止阀使用。
4. 必须垂直安装。

## Installation

To facilitate transportation, control part and the body part of the temperature regulating valve are packed separately, serial number when installing both must be consistent.

Pipe should be cleaned before installing self-temperature control valve, without debris. Must be perpendicular to the ground when the valve is installed, the valve inlet direction consistent with the heat transfer medium flow direction. Globe valve should be installed self-temperature control valve upstream and downstream, also the filter install before control valve, so as not to damage the sealing surface impurities. To facilitate and regulate the use of user service valve should be set up and install a bypass pipe valve, see Fig.



When installing the controller is perpendicular to the ground..

The controller is installed to valve body, with (4mm).

Hexagonal wrench fastening screws.

5 The connector must be tightened.

6 Before temperature sensors installed along the spiral direction of the first catheter

Expand prohibited rigid stretch to avoid broken pipe. Catheter

Need to bend when the minimum bend radius of 60mm

When installed, first in the heat exchanger or water pipeline, safety wire seat is connected with the sensor. The

temperature sensor should be immersed directly in a heated medium, do not place the sensor installed in the sleeve. The display device is mounted thermometer or other temperature should be near the sensor, in order to observe.

7 Before valve out of factory, usually has good temperature according to user requirements, users can use only fine tuning. Trimming or changing the set temperature follows, turn head when the body is regulated by low to high; When adjusting from high temperature to low temperature, must wait until the sensor temperature is cooled to adjust the temperature, turn clockwise to the head body.

8 Note:

Self-temperature control valve can not be used as a globe valve, when the system stops heating, heat medium cut-off valve should be closed

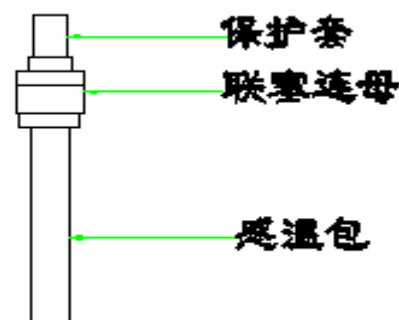
When in use, the catheter should be carefully examined, if the catheter fracture fluid leak or smell spill, should stop using it.

When the low temperature of the medium to be heated, with reference to section 7, the high temperature regulation, if valid, open the bypass, if the temperature is still low, are the source or system problems

Referring to the medium to be heated at high temperature section 7, the low temperature regulation, such as invalid, you should check bypass leaks.

The control valve is a precision instrument, is strictly prohibited without permission disassemble, any questions please contact your agent or company.

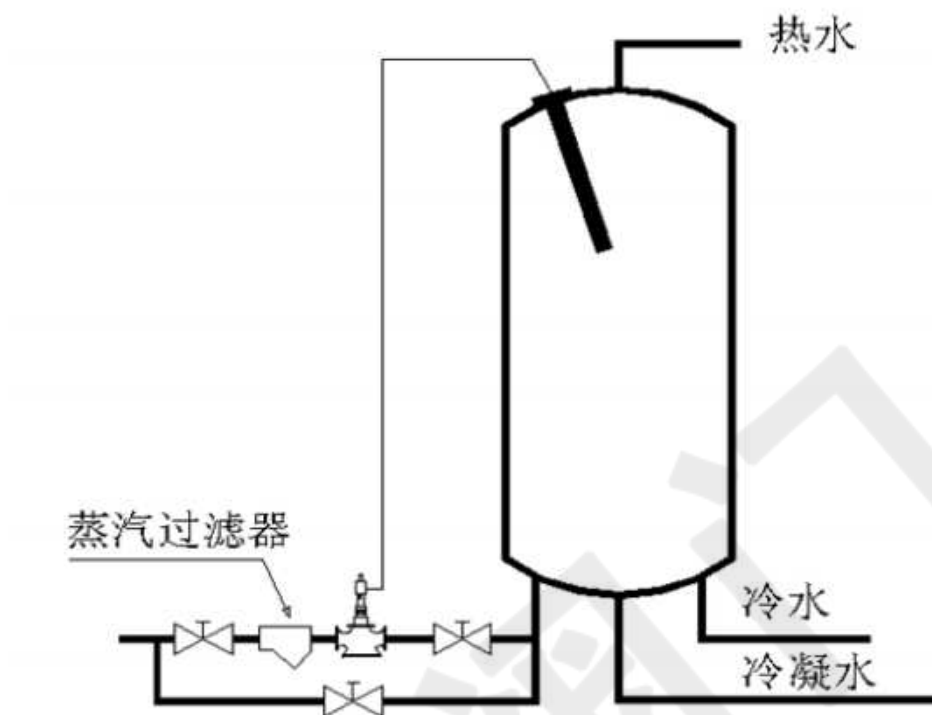
Temperature sensor installed in the bypass piping is not allowed



### Special Note:

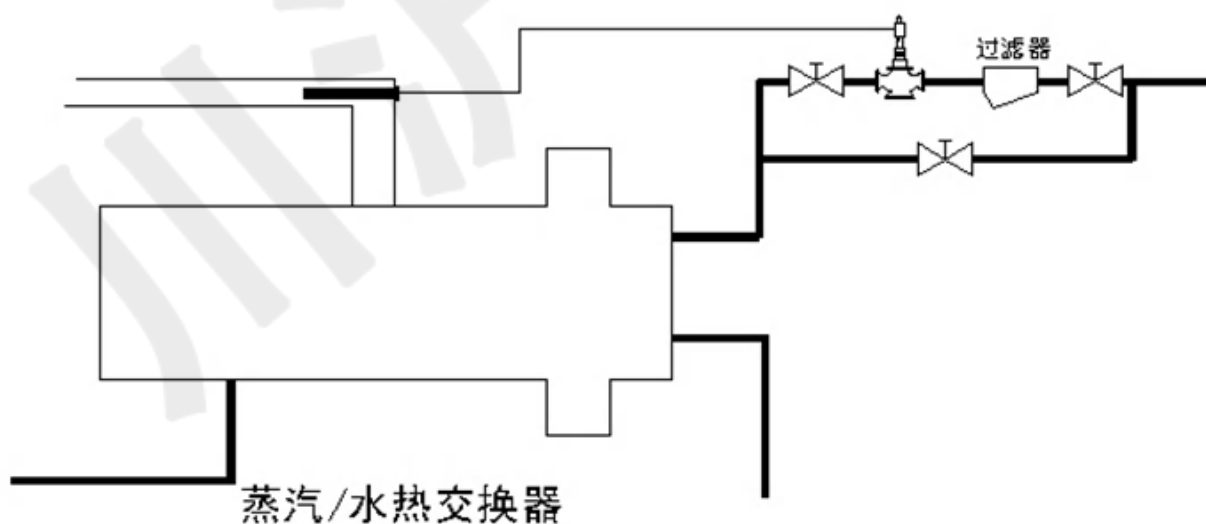
- 1.the upstream must be installed filters.
2. Do not over-temperature or overpressure.
3. Do not use as a globe valve.
4. Must be mounted vertically.

## 安装示意图 INSTALLATION DIAGRAM



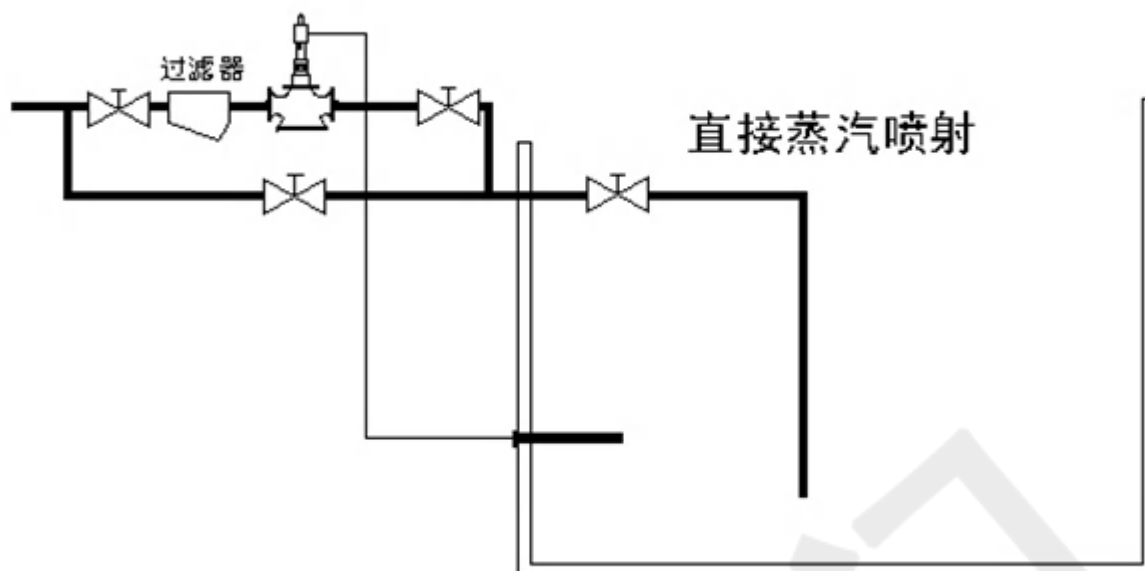
注：安装时执行器必须与地面垂直，阀前必须安装过滤器（如图示）。严禁当截止阀使用

Note: When installing the actuator must be perpendicular to the ground, the upstream must be installed filter (as shown). Do not use as a globe valve



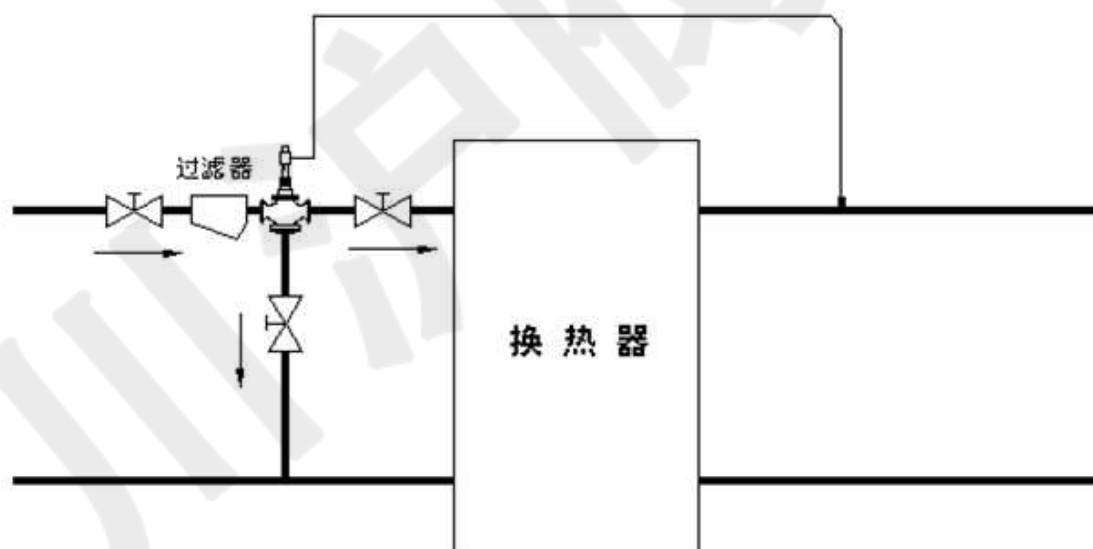
注：安装时执行器必须与地面垂直，阀前必须安装过滤器（如图示）。严禁当截止阀使用

Note: When installing the actuator must be perpendicular to the ground, the upstream must be installed filter (as shown). Do not use as a globe valve



注：安装时执行器必须与地面垂直，阀前必须安装过滤器（如图示）。严禁当截止阀使用

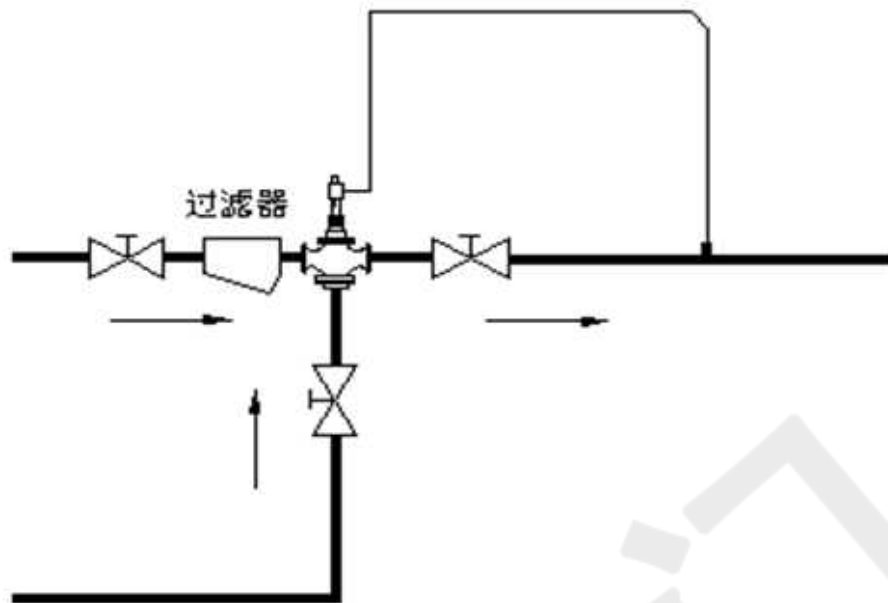
Note: When installing the actuator must be perpendicular to the ground, the upstream must be installed filter (as shown). Do not use as a globe valve



### 三通分流

注：安装时执行器必须与地面垂直，阀前必须安装过滤器（如图示）。严禁当截止阀使用

Note: When installing the actuator must be perpendicular to the ground, the upstream must be installed filter (as shown). Do not use as a globe valve



## 三通合流

注：安装时执行器必须与地面垂直，阀前必须安装过滤器（如图示）。严禁当截止阀使用

Note: When installing the actuator must be perpendicular to the ground, the upstream must be installed filter (as shown). Do not use as a globe valve





**上海川沪阀门有限公司**  
SHANGHAI CHUANHU VALVE CO., LTD

地址：上海市奉贤区金汇工业园金碧路 358 号

电话：86-021-5186 3046

传真：86-021-5186 3049

邮箱：chvalve@126.com

邮编：210404

网址：<http://www.chuanhuvalve.com>

Add: Shanghai Fengxian District Jinhui Industrial Garden Jinbi Road No. 358

Tel: 86-021-5186 3046

Fax: 86-021-5186 3049

Mail: chvalve@126.com

Code: 210404

Website: <http://www.chuanhuvalve.com>

